



6 _ _ T _ _ 0

Write purchase model number here for future reference

205162

205162

205162

205162

205162

205162

205162

205162

061099A
Arzo Spout Assembly
for Proximity

RP54519
Aerator (1.5 GPM / 5.7 L/min)

060667A
Spray (0.5 GPM / 1.9 L/min)

062004A
Spacer package for
Arzo Proximity

062001A
Proximity Thin
Tab & Nut

062000A
Grail Spout Assembly
for Proximity

RP54519
Aerator
(1.5 GPM /
5.7 L/min)

060667A
Spray
(0.5 GPM /
1.9 L/min)

062005A
Spacer package for
Grail Proximity

062001A
Proximity Thin
Tab & Nut

NOTE: For optimum performance of this product, we recommend a system pressure between 20 and 80 PSI static. This product will operate up to a maximum of 125 PSI static per ANSI and CSA requirements. However, we do not recommend pressure above 80 PSI. Thermal expansion or leaking pressure reducing valves may require use of expansion tanks or relief valves to ensure your system never exceeds its maximum intended pressure setting.

060930A
Battery Box Assembly less driver
board and battery holder

060905A
Cover
Gasket

060906A
Surface
Mount
Housing

062002A
Proximity
Driver Board

060910A
Solenoid Valve
with 3/8"
Compression
Connectors

060908A
Solenoid Holder

060909A
Screen Assembly

062032A
Polymer Hose
(optional, not supplied)

060910A
Solenoid Valve
with 3/8"
Compression
Connectors

060913A
3/8" x 3/8"
Compression
Connector,
Nut and Ferrule

060416A
Bypass
Adaptor

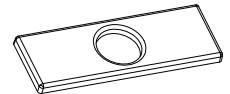
060416A
Bypass Adaptor

060683A
24VAC to 6VDC Converter

061047A
24VAC to 6VDC
Converter with
Battery Backup

062029A
Ground Wire Kit (for hardwire models)

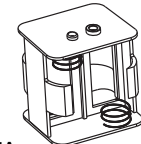
OPTION LIST



062021A
4" Escutcheon & Gasket (Arzo)



062022A
4" Escutcheon & Gasket (Grail)



060684A
Square Battery Holder



060571A
Mounting Hardware

TRANSFORMERS

060704A
Transformer 110 to 24 VAC 20VA
up to 5 Electronic Valves

060771A
Transformer 110 to 24 VAC 40VA
up to 10 Electronic Valves

060772A
Transformer 110 to 24 VAC 100VA
up to 25 Electronic Valves

PLEASE LEAVE this M&I Sheet with the owner, maintenance plumber, etc. as items relating to ongoing maintenance suggestions and procedures are included.

Installation should be in accordance with local plumbing and electrical codes.
FLUSH ALL PIPES THOROUGHLY BEFORE INSTALLATION.

INSTALLATION AND SET UP INSTRUCTIONS

STEP 1. FAUCET INSTALLATION

Mount faucet to sink using the provided components in the following order - grey bottom spacer, thin capacitance tab, lock nut (Fig. 1). **NOTE: The black top spacer must be used at all times between the spout and countertop, and the grey spacer must be used at all times between the thin tab and deck.** Thin tab faces away from sink.

STEP 2. BATTERY BOX INSTALLATION

Mount battery box to wall under sink using the 4 supplied screws and anchors. Use 1/4" drill for wall anchors. **Be sure to install the box within the dimensions provided so the hose and sensor cable will reach connections at faucet and battery box.** Refer to illustration (Fig. 2).

STEP 3. FLUSH SYSTEM

To flush supply line, assemble these components as shown (Fig. 3) and run water for one minute. Shut off water supply. Attach aerator. **NOTE: Do not connect supply to the solenoid inlet until line is flushed directly out spout.**

STEP 4. CONNECT WATER SUPPLY

Disassemble the components, reassemble the ones shown here (Fig. 4) supply line and adapter to the bottom fitting on solenoid, polymer braided spout hose to the top fitting on solenoid. Use plumber tape where indicated on adapter. Turn on water supply. **DO NOT SOLDER CONNECTIONS.**

STEP 5. CONNECT PROXIMITY™ SENSOR

Run the white sensor wire out the bottom left of the box up to the spout along the polymer braided hose up to the underside of the countertop (Fig. 2). Attach the female spade terminal to the thin capacitance tab (Fig. 5). The thin tab may be bent to assist in making the connection. **ENSURE A TIGHT CONNECTION IS MADE.** Use tie wraps (supplied) to bind the white sensor wire along the polymer braided hose back to the control box (Fig. 2).

STEP 6. PREPARE SINK AREA

Before connecting the power - clean off counter and remove all objects from the sink.

STEP 7a. CONNECT POWER

IMPORTANT: ENSURE THAT WATER SUPPLY IS ON BEFORE PROCEEDING. WHEN POWER IS FIRST APPLIED TO THE DRIVER BOARD, THE INSTALLER MUST IMMEDIATELY STEP BACK AT LEAST 3 FEET FROM THE PROXIMITY SPOUT IN ORDER TO ALLOW THE UNIT TO PROPERLY CALIBRATE.

BATTERY VERSION: Open the control box. Connect battery clip to battery pack. Install four "C" batteries provided into the battery holder. 5 quick beeps 3 times will be generated when power is first applied to the unit. **At this stage, step back at least 3 feet from the control box and spout in order to allow for proper calibration.** Do not secure the lid until after calibration.

HARDWIRE VERSION: Install CSA and/or UL approved Class 2 transformer or equivalent in a convenient location or in a pipe chase. **(Do NOT install the transformer inside the control box.)** With the power off, bring the 24 VAC supply wires to the box. Connect the 24 VAC supply to the 060683A conversion kit or battery backup 061047A (see page 1). Connect the battery snap of the hardwire converter to the driver board battery clip. Connect the 062029A ground wire kit (refer to 062029A instructions provided). Turn on power supply for the transformer. 5 quick beeps 3 times will be generated when power is first applied to the unit. **At this stage, step back at least 3 feet from the control box and spout in order to allow for proper calibration.** Do not secure the lid until after calibration. The unit will turn on for approximately 10 seconds and proceed to shut off. An additional 5 beeps once will then be heard indicating calibration is complete.

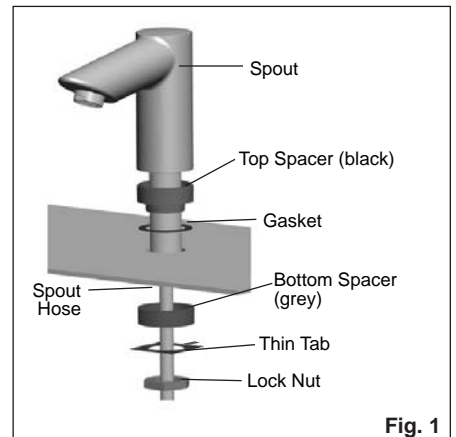


Fig. 1

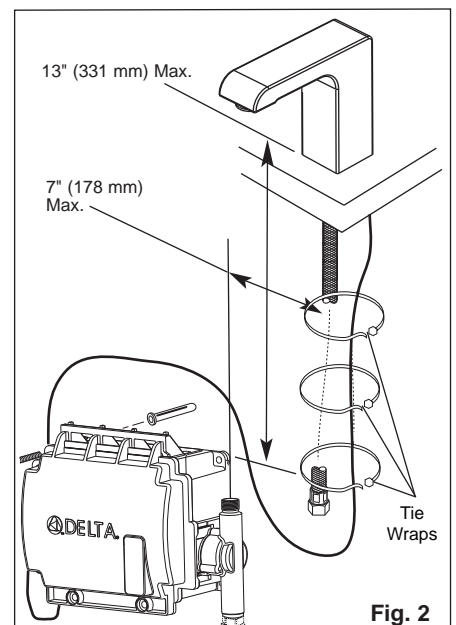


Fig. 2

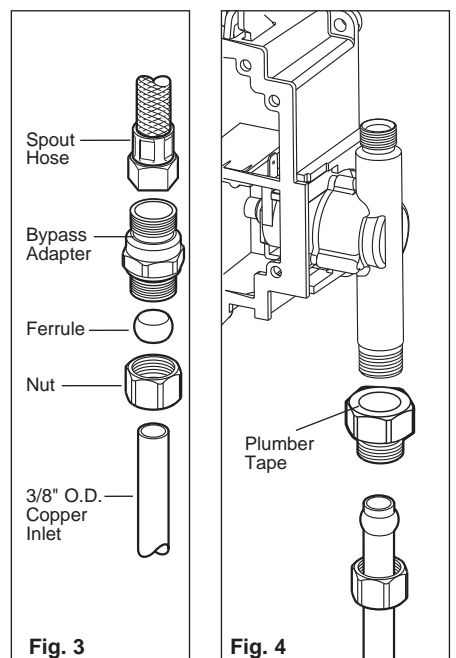


Fig. 3

Fig. 4

**Installation should be in accordance with local plumbing and electrical codes.
FLUSH ALL PIPES THOROUGHLY BEFORE INSTALLATION.**

INSTALLATION AND SET UP INSTRUCTIONS

STEP 7b. CALIBRATION

After power is applied to the driver board, it generates 5 quick beeps 3 times which prompts the installer to step away from the unit. During this process the water will turn ON for approximately 10 seconds and proceed to shut off. An additional 5 beeps once will then be heard indicating calibration is complete.

STEP 8. TEST FOR OPERATION

Test for operation. If OK, then close lid - **Use caution not to damage wires or components on electronic driver board. See Fig 6.** Secure lid using screws. If faucet leaks from spout outlet: SHUT OFF WATER SUPPLIES. Check proper solenoid connection. Replace solenoid if problem persists. If faucet exhibits very low flow: A) Remove and clean Spray Outlet or B) SHUT OFF WATER SUPPLY. Clean or replace Screen Assembly (2). If unit does not work properly, see Trouble Shooting Guide on page 5.

STEP 9. BASIC OPERATION AFTER CALIBRATION

Proximity™ sensing technology works by creating an electrical field around a conductor (the spout) and monitoring the change in capacitance that the conductor undergoes. The change in capacitance (the ability to store an electrical charge) is brought on by a 2nd conductor (a human body) entering the Proximity™ field. As the human hand enters and leaves the vicinity of the electrical field around the spout, the solenoid is opened and closed accordingly. It is critical in the installation process that all electrical and mechanical connections be as tight and rigid as possible, ensuring a smooth signal is carried from the driver board to the spout, and back again.

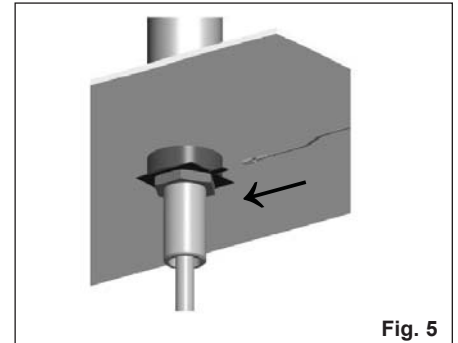
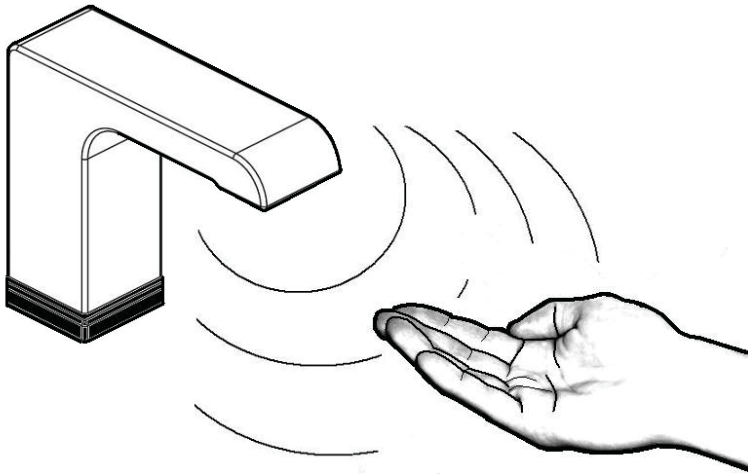


Fig. 5

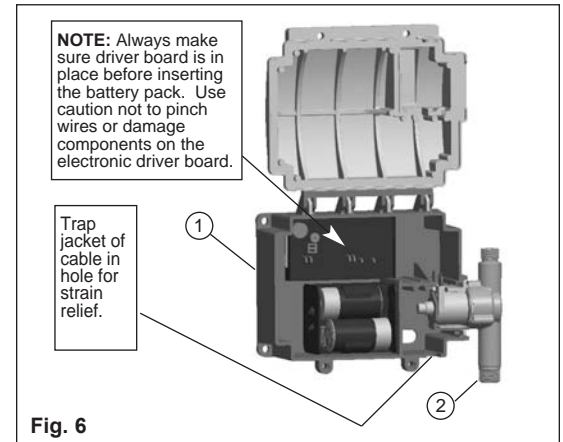


Fig. 6

After calibration, test the function of the product by placing your hands within close proximity of the spout (ensuring hands are moving as if washing hands). The solenoid will stay open while hands are moving, then close once hands are removed from the sensing zone.

**Installation should be in accordance with local plumbing and electrical codes.
FLUSH ALL PIPES THOROUGHLY BEFORE INSTALLATION.**

INSTALLATION AND SET UP INSTRUCTIONS

STEP 10. MAKING ADJUSTMENTS

Since some sink types (i.e. stainless steel) are made of a conductive material, and some installations may be near other foreign conductive materials. Adjustments to the sensitivity of the electrical field may be required to ensure a consistent operation. If you find that after ensuring all electrical and mechanical connections are firm and rigid that the product is still not performing consistently, the default sensitivity settings of the driver board may be adjusted. Follow these steps to make sensitivity adjustments.

1. Turn off the power to the driver board by disconnecting the driver board from the battery pack or hardwire converters.
NOTE: When disconnecting power - grab the battery connection and wait at least one second before disconnecting the power. When the battery connection is touched, it trips the electronics and turns on the solenoid. Waiting for at least one second before disconnecting the power will allow the electronics to reset themselves and shut off the solenoid.
2. Locate the sensitivity selector switch located on the driver board (Fig. 7).
3. Using a finger or small screwdriver, gently set the sensitivity level one step up or down from its current position. Use the sensitivity selection chart (Fig. 7) to ensure the correct setting is chosen.
4. Once the selection has been made, re-apply power to the driver board and allow for calibration as per **Step 7a and 7b**.
5. Test for operation and repeat steps 1-4, if necessary.

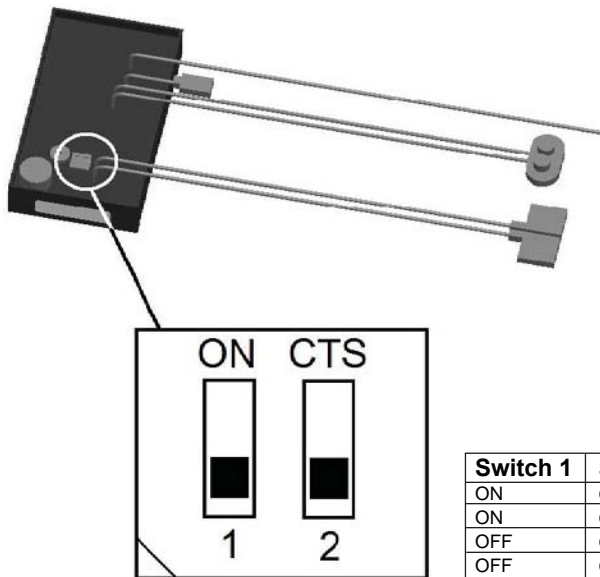


Fig. 7

Sensitivity Levels:

As a rule of thumb, the High sensitivity level will produce a sensing range of approximately 3.5". The Low sensitivity level will reduce the electrical field so that the spout must be touched in order to operate.

NOTE: Fig. 7 depicts a driver board with the LOW Sensitivity setting selected.

CARE INSTRUCTIONS

This Delta Commercial faucet is designed and engineered in accordance with the highest quality and performance standards. With proper care, it will give you years of trouble free service. Care should be given to the cleaning of this product. Although the chrome finish is extremely durable, it can be **DAMAGED** by **ACIDIC CLEANERS** (i.e., cleaners designed specifically for vitreous china lavatories and water closets), **HARSH ABRASIVES** or **POLISH**. To clean, simply wipe the surface with a damp cloth and blot dry with a soft towel.

Delta Commercial Faucet Limited Warranty

All parts of the Delta® HDF® and TECK® faucets are warranted to the original consumer purchaser to be free from defects in material, finish and workmanship for a period of five (5) years unless otherwise specifically stated in the catalogue and price book. This warranty is made to the original consumer purchaser and shall be effective from date of purchase as shown on purchaser's receipt.

Delta will, at its option, repair or replace, FREE OF CHARGE, during the warranty period, any part which proves defective in material or workmanship under normal installation, use and water and service conditions. If Delta Faucet concludes that the returned part was manufactured by Delta Faucet and is, in fact, defective, then Delta Faucet will honour the warranty stated herein. Replacement parts can be obtained from your local dealer or distributor listed in the telephone directory or by returning the part along with the purchaser's receipt to our factory, TRANSPORTATION CHARGES PREPAID, at the address listed. THIS WARRANTY IS THE ONLY EXPRESS WARRANTY MADE BY DELTA. ANY CLAIMS MADE UNDER THIS WARRANTY MUST BE MADE DURING THE FIVE YEAR PERIOD REFERRED TO ABOVE. ANY IMPLIED WARRANTIES, INCLUDING THE IMPLIED WARRANTY OF MERCHANTABILITY OF FITNESS FOR A PARTICULAR PURPOSE, ARE LIMITED IN DURATION TO THE DURATION OF THIS WARRANTY. LABOUR CHARGES AND/OR DAMAGE INCURRED IN INSTALLATION, REPAIR OR REPLACEMENT AS WELL AS INCIDENTAL AND CONSEQUENTIAL, SPECIAL, INDIRECT OR PUNITIVE DAMAGES CONNECTED THEREWITH ARE EXCLUDED AND WILL NOT BE PAID BY DELTA FAUCET.

Some states do not allow limitations on how long an implied warranty lasts, or the exclusion or limitation of incidental or consequential damages, so the above limitations or exclusions may not apply to you. This warranty gives you specific legal rights, and you may also have other rights which vary from state to state.

This warranty is for commercial products only from Delta Faucet Company and Delta Faucet Canada (a division of Masco Canada Limited) and is void for any damage to this faucet due to misuse, abuse, neglect, accident, improper installation, any use in violation of instructions furnished by Delta Faucet or any use of replacement parts other than genuine Delta parts.

Garantie Limitée Delta Commercial

Toutes les pièces des robinets de marque Delta® HDF® et TECK® sont garanties contre tout défaut de matériel, de finition et de main-d'oeuvre pour une période de cinq (5) ans, sauf indication contraire stipulée dans le catalogue et la liste des prix. Cette garantie est offerte à l'acheteur original et entre en vigueur à compter de la date d'achat indiquée sur la preuve d'achat.

Delta procédera, à son entière discrétion, à la réparation ou au remplacement, SANS FRAIS, durant la période de garantie, de toute pièce qui présente un défaut de matériel ou de main-d'oeuvre dans des conditions d'installation, d'usure, d'eau et de service normales. Si Delta Faucet détermine que la pièce retournée a été fabriquée par Delta Faucet et qu'en effet, cette pièce défectueuse, Delta Faucet respectera alors la garantie mentionnée ci-dessous. Les pièces de rechange peuvent être obtenues chez votre marchand local ou le distributeur inscrit dans votre annuaire téléphonique, ou en retournant la pièce ainsi que la preuve d'achat à notre usine, FRAIS DE TRANSPORT PRÉPAYÉS, à l'adresse indiquée. CETTE GARANTIE EST LA SEULE GARANTIE EXPRESSE FAITE PAR DELTA.

TOUTE RÉCLAMATION FAITE EN VERTU DE CETTE GARANTIE DOIT ÊTRE PRÉSENTÉE DURANT LA PÉRIODE DE CINQ ANS MENTIONNÉE CI-DESSUS. TOUTE GARANTIE IMPLICITE, Y COMPRIS LA GARANTIE IMPLICITE DE VALEUR COMMERCIALE D'ADÉQUATION POUR UN USAGE PARTICULIER, EST LIMITÉE DANS LE TEMPS À LA DURÉE DE LA PRÉSENTE GARANTIE.

LES FRAIS DE MAIN-D'OEUVRE ET/OU LES DOMMAGES ENCOURUS DURANT L'INSTALLATION, LA RÉPARATION OU LE REMPLACEMENT AINSI QUE LES DOMMAGES ACCIDENTELS ET CONSÉCUTIFS, SPÉCIAUX, INDIRECTS OU PUNITIFS QUI SONT RELIÉS SONT EXCLUS ET NE SERONT PAS PAYÉS PAR DELTA FAUCET.

Certains états ne permettent pas la limitation de la durée de la garantie implicite, ou l'exclusion ou la limitation des dommages accidentels ou consécutifs, et par conséquent, les limitations ou les exclusions stipulées ci-dessus peuvent ne pas s'appliquer dans votre cas. Cette garantie vous accorde certains droits reconnus par la loi et vous pouvez aussi avoir d'autres droits qui varient d'un état à l'autre.

Cette garantie s'applique seulement aux produits commerciaux de Delta Faucet Company et Delta Faucet Canada (une filiale de Masco Canada Limited) et est nulle de plein droit pour tout dommage causé à ce robinet en raison d'une mauvaise utilisation, d'abus, de négligence, d'accident, de mauvaise installation, pour tout usage en contravention des directives fournies par Delta Faucet ou pour tout usage de pièces de rechange autres que des pièces originales Delta.

Garantía Limitada de las Llaves de Agua Comerciales Delta

Todas las piezas de las llaves de agua (grifos) Delta® HDF®, TECK® están garantizadas al comprador consumidor original de estar libres de defectos de material, acabado y fabricación por un periodo de cinco (5) años a menos que sea establecido específicamente de otra manera en el catálogo o libro de precios. Esta garantía se le otorga al comprador consumidor original y será efectiva desde la fecha de compra indicada en el recibo del comprador.

Delta, a su opción, reparará o reemplazará, GRATUITAMENTE, durante el periodo de garantía, cualquier pieza que resulte defectuosa en material o fabricación bajo instalación, uso, agua y condiciones de servicio normales. Si Delta Faucet concluye que la pieza devuelta fue fabricada por Delta Faucet y es, de hecho, defectuosa, entonces Delta Faucet honrará la garantía establecida en este documento.

Las piezas de reemplazo se pueden obtener de su tienda o distribuidor local listado en la guía telefónica o devolviendo la pieza junto con el recibo de compra a nuestra fábrica, CON OOS GASTOS DE ENVÍO PRE-PAGADOS, a la dirección indicada. ESTA GARANTÍA ES LA ÚNICA GARANTÍA EXPRESA HECHA POR DELTA. CUALQUIER RECLAMO HECHO BAJO ESTA GARANTÍA DEBE SER HECHO DURANTE EL PERÍODO DE CINCO AÑOS ARRIBA MENCIONADO. CUALQUIER GARANTÍA IMPLÍCITA, INCLUYENDO LA GARANTÍA IMPLÍCITA DE COMERCIABILIDAD DE EMPLEO PARA UN PROPÓSITO PARTICULAR, TIENE UNA DURACIÓN LIMITADA A LA DURACIÓN DE ESTA GARANTÍA. LOS CARGOS DE MANO DE OBRA Y/O DAÑO INCURRIDO DURANTE LA INSTALACIÓN, REPARACIÓN O REEMPLAZO, COMO TAMBIÉN DAÑOS INCIDENTALES O RESULTANTES, ESPECIALES, INDIRECTOS O PUNITIVOS RELACIONADOS CON LO MENCIONADO. QUEDAN EXCLUIDOS Y NO SERÁN CUBIERTOS POR DELTA FAUCET.

Algunos estados no permiten limitaciones de la duración de una garantía implícita, o la exclusión o limitación de daños incidentales o consecuentes, de manera que las limitaciones o exclusiones arriba mencionadas puedan no aplicarse en su caso. Esta garantía le otorga derechos legales específicos, y usted también puede tener otros derechos que varían de estado a estado.

Esta garantía es solo para productos comerciales de Delta Faucet Company y Delta Faucet Canada (una división de Masco Canada Limited), y queda anulada por cualquier daño ocasionado a esta llave de agua resultante del mal uso, abuso, descuido, accidente, instalación incorrecta, cualquier uso en violación de las instrucciones proporcionadas por Delta Faucet o el uso de cualquier parte de repuesto que no una parte genuinas de Delta.

Delta Faucet Canada, a division of Masco Canada Limited
Box 5750, 420 Burbrook Place, London, ON, Canada N6A 4L6
1-800-567-3300 (English) 1-800-265-9245 (French)

Delta Faucet Company
Box 40980, 55 East 111th St., Indianapolis, IN, U.S.A. 46280
(317) 848-1812

For further technical assistance, call Delta Commercial Technical Service at 1-800-387-8277.

Pour obtenir de l'assistance technique, appelez le Service Technique de Delta Commercial au 1-800-386-8277.

Para la asistencia técnica adicional, servicio técnico Comercial del Delta de la llamada en 1-800-387-8277.