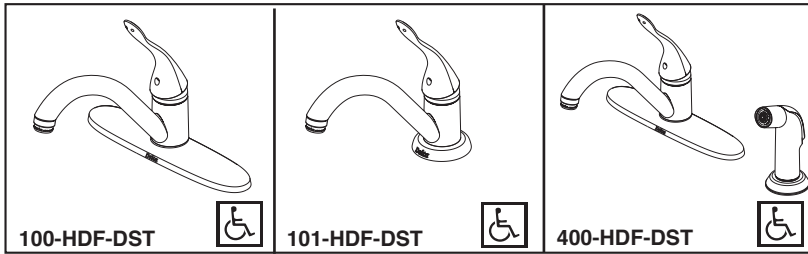


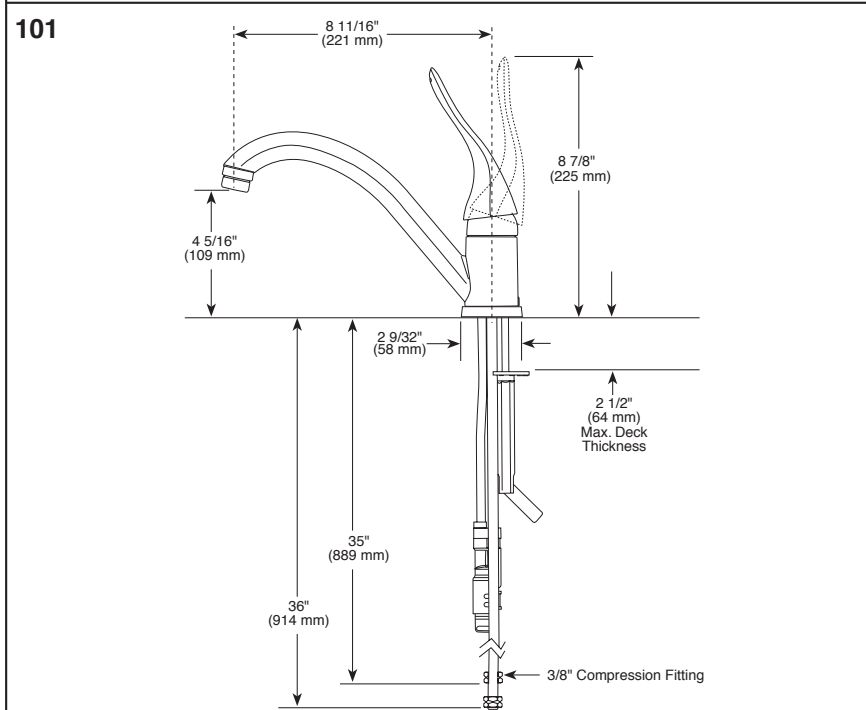
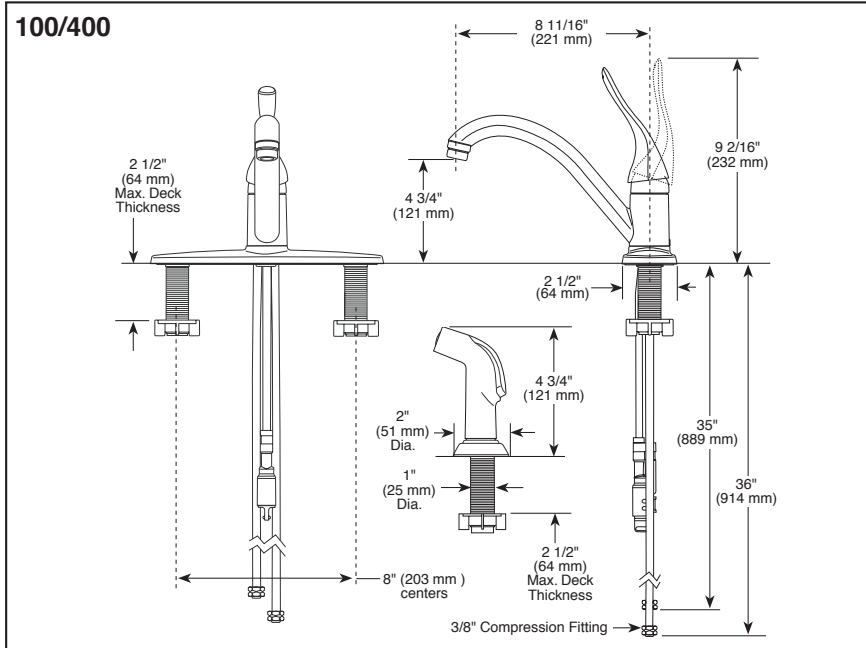
Kitchen Faucets

HDF[®]
COMMERCIAL



Submitted Model No.: _____

Specific Features: _____



- DIAMOND™ Seal Technology
- Single Handle
- Deck Mount
- Single, 3 and 4 Hole Sink Applications

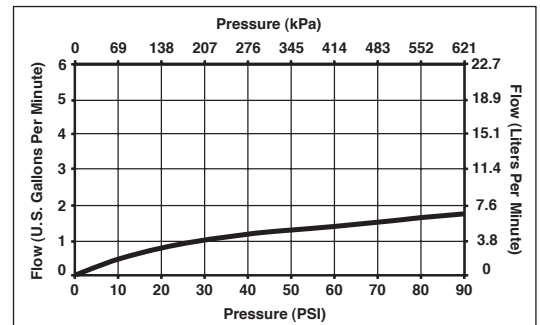
STANDARD SPECIFICATIONS:

- Single handle kitchen deck faucets for exposed mounting on single, three and four hole sinks.
- All metal fabricated body.
- 8 11/16" (221 mm) long spout swings 180°.
- 1.5 gpm (5.7 L/min.) Vandal resistant aerator.
- Vandal resistant 6" (152 mm) elbow handle. Red/blue colored graphics indicate hot/cold temperature.
- Control mechanism shall be the diamond coated ceramic cartridge.
- Control handle shall return to neutral position when valve is turned off.
- Adjustable handle limit stop.
- Model 400 series with 45" (1143 mm) hose and spray attachment has anti-siphon device as integral part of faucet.
- 3/8 O.D. straight, staggered pex supply tubes 35" (889mm) and 36" (914 mm) long.
- Standard 3/8" (10 mm) compression gasket fittings.
- Mounts on standard 1 3/8" (35 mm) ± 1/8" (3 mm) diameter holes on 8" (203 mm) centers.



COMPLIES WITH:

- ASME A112.18.1 / CSA B125.1
- Indicates ADA compliance to ICC/ANSI A117.1
- Verified compliant with .25% weighted average Pb content regulations



Delta reserves the right (1) to make changes in specifications and materials, and (2) to change or discontinue models, both without notice or obligation. Dimensions are for reference only. See current full-line price book or www.specselect.com for finish options and product availability.