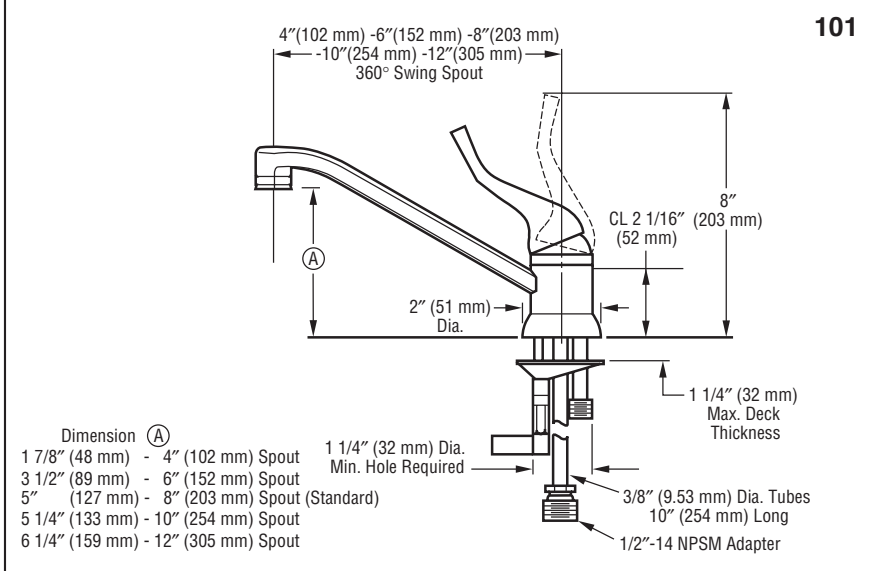
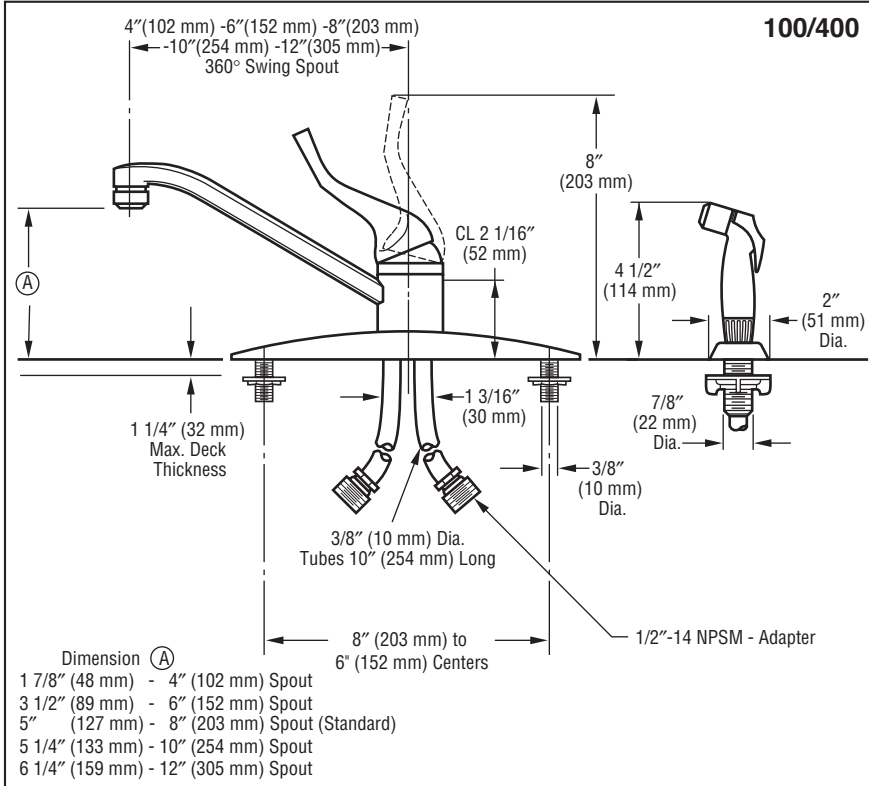




Submitted Model No.: _____
 Specific Features: _____



- Single Handle
- Deck Mount
- Single, 3 and 4 Hole Sink Applications

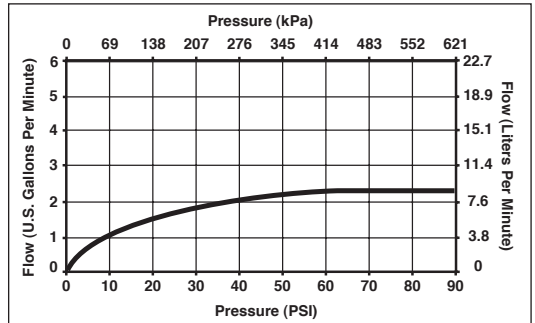
STANDARD SPECIFICATIONS:

- Single handle kitchen deck faucets for exposed mounting on single, three and four hole sinks.
- Solid brass fabricated body.
- 8" (203 mm) long spout swings 360°.
- 2.2 gpm (8.3 L/min.) Vandal resistant aerator.
- Vandal resistant 6" (152 mm) elbow handle. Red/blue colored graphics indicate hot/cold temperature.
- Control mechanism shall be of the rotating stainless steel ball type with replaceable non-metallic seats operating in stainless steel lined sockets.
- Control handle shall return to neutral position when valve is turned off.
- Adjustable handle limit stop.
- Model 400 series with 45" hose and spray attachment has anti-siphon device as integral part of valve body.
- Model 100 and 400 series can be field converted from 8" (203 mm) to 6" (152 mm) centers.
- 3/8 O.D. Copper Tube Inlets 10" (254mm) long with 1/2-14 NPSM Adapters.
- Available Options for Field Conversion:
 - 4" (102 mm) long swing spout. Order RP5881.
 - 6" (152 mm) long swing spout. Order RP9633.
 - 10" (254 mm) long swing spout. Order RP5653.
 - 12" (305 mm) long swing spout. Order RP6042.
 - Vandal resistant laminar flow spray outlet with wrench. Order RP21966.



COMPLIES WITH:

- ASME A112.18.1
- CSA B125
- ☒ Indicates ADA compliance to CABO/ANSI A117.1
- CSA Certified
- City of L.A. approved (400)



Delta reserves the right (1) to make changes in specifications and materials, and (2) to change or discontinue models, both without notice or obligation. Dimensions are for reference only. See current full-line price book or www.specselect.com for finish options and product availability.