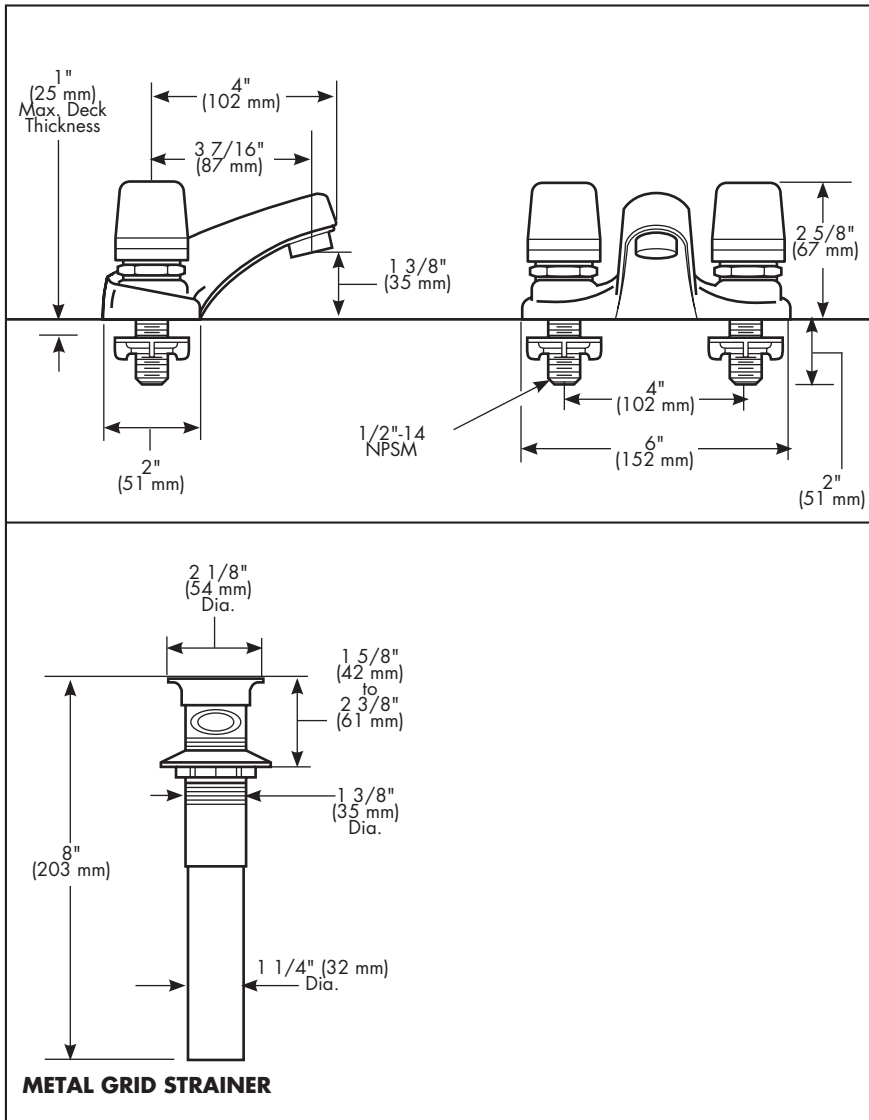


Submitted Model No.: _____
 Specific Features: _____



- Two Handle
- Deck Mount
- 2 and 3 Hole Sink Applications
- 4" (102 mm) Centerset

STANDARD SPECIFICATIONS:

- Two-handle slow self-closing faucets. For two and three hole deck mount applications.
- 4" (102 mm) centerset.
- 3 7/16" (87 mm) long spout.
- Metering, vandal resistant, slow-close push handle.
- No lift rod hole.
- Metal grid strainer (2517).
- .5 gpm (1.9 L/min) vandal resistant spray outlet. Total flow per actuation must not exceed .25 gal./cycle (1.0 L/cycle).
- All operating parts must be replaceable from above the deck.
- 1/2"-14 NPSM threaded male inlet shanks.



COMPLIES WITH:

- ASME A112.18.1
- CSA B125
- CSA Certified

