

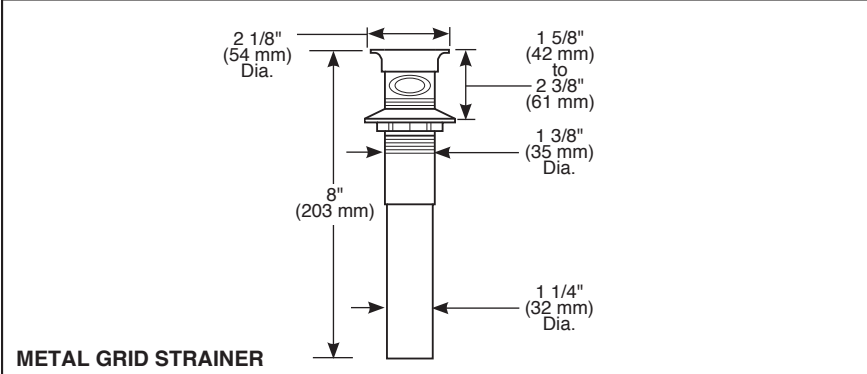
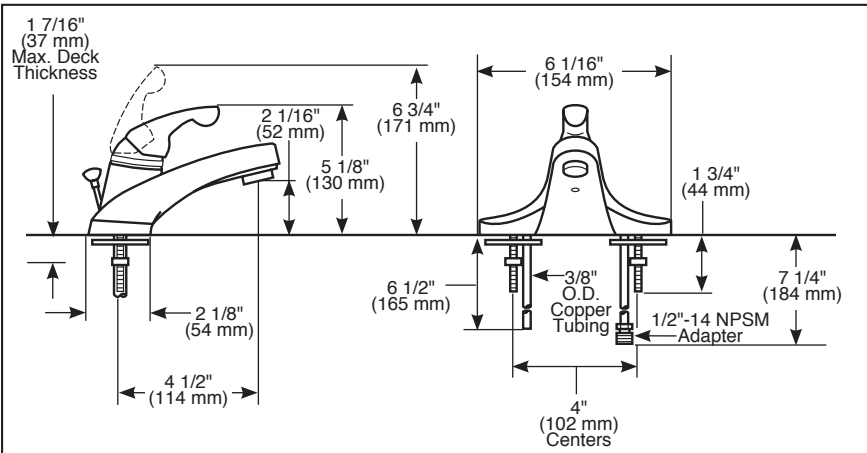
- Single Handle
- Deck Mount
- 3 Hole Sink Applications
- 4" (102 mm) Centerset

STANDARD SPECIFICATIONS:

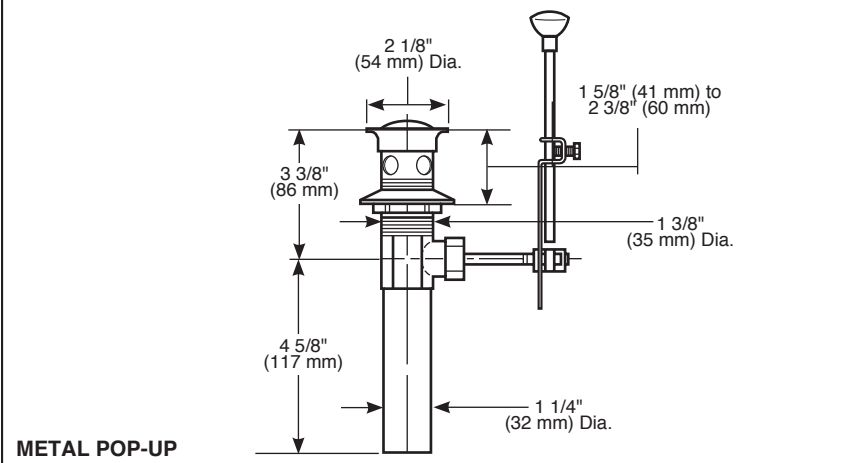
- Single handle lavatory deck faucets for exposed mounting on two and three hole sinks.
- 4" (102 mm) centerset.
- Solid brass fabricated body.
- 4 1/2" (114 mm) long spout.
- Vandal resistant aerator or spray outlet.
- Metal grid strainer (523).
- Metal pop-up drain (520).
- Lift Rod Hole (520).
- Vandal resistant lever handle. Red/blue colored graphics indicate hot/cold temperature.
- Control mechanism shall be of the rotating stainless steel ball type with replaceable non-metallic seats operating in stainless steel lined sockets.
- Control handle shall return to the neutral position when valve is turned off.
- Adjustable handle limit stop.
- Models have 3/8" O.D. copper supply tubes.
- Models with suffix "WF" supplied with 1/2"-14 NPSM adapters.
- Available Options for Field Conversion:
 - 6" (152 mm) long elbow handle—red/blue colored graphics indicate hot/cold temperature. Order RP5645.

Submitted Model No.: _____

Specific Features: _____



METAL GRID STRAINER

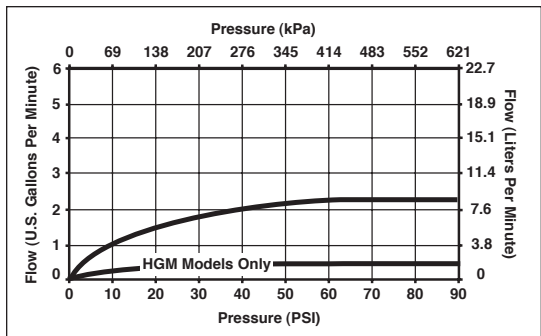


METAL POP-UP



COMPLIES WITH:

- ASME A112.18.1
- CSA B125
- ♿ Indicates ADA compliance to CABO/ANSI A117.1
- CSA Certified



Delta reserves the right (1) to make changes in specifications and materials, and (2) to change or discontinue models, both without notice or obligation. Dimensions are for reference only. See current fullline price book or www.specselect.com for finish options and product availability.