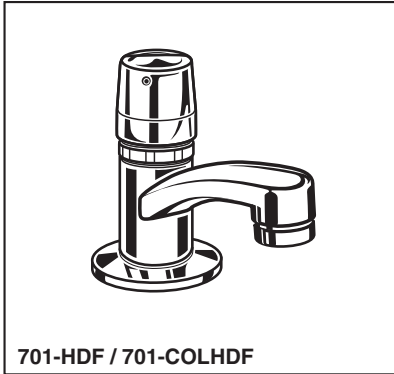


# Lavatory Faucets

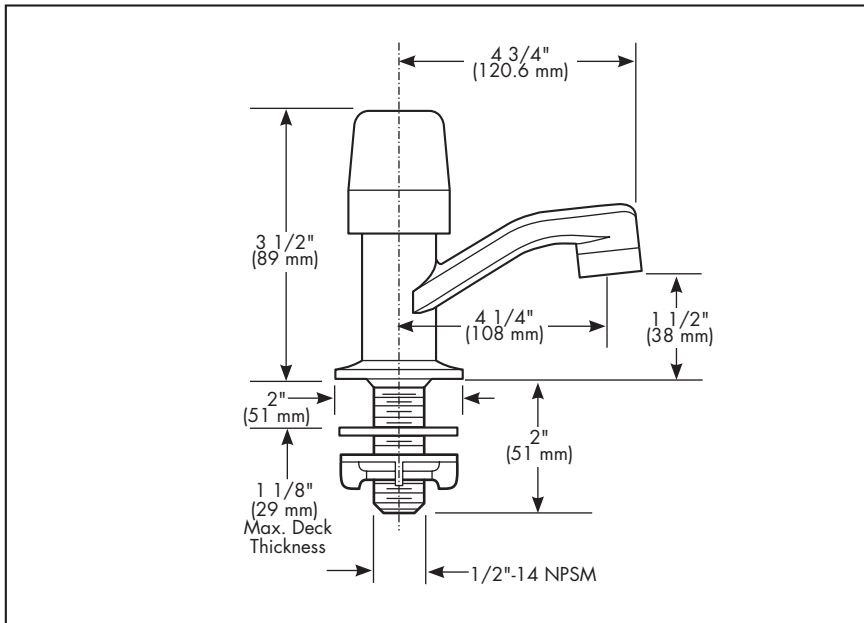
**HDF<sup>®</sup>**  
COMMERCIAL



701-HDF / 701-COLHDF

Submitted Model No.: \_\_\_\_\_

Specific Features: \_\_\_\_\_



- Single Handle
- Slow Self-Closing
- Deck Mount Basin Faucet
- Single Hole Sink Applications

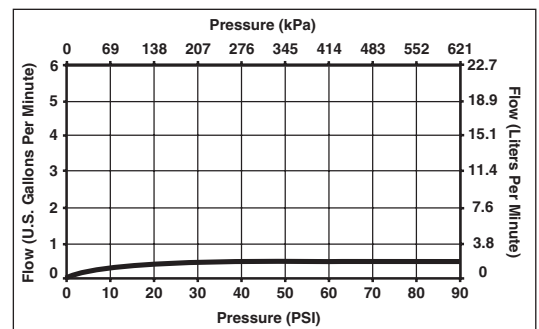
**STANDARD SPECIFICATIONS:**

- Single handle, slow self-closing faucet. For single hole deck mount applications.
- Solid brass fabricated body.
- Metering, vandal resistant, slow-close push handle. Plain (701-HDF) Cold (701-COLHDF)
- 4 1/4" (108 mm) rigid spout.
- .5 gpm (1.9 L/min) vandal resistant spray outlet. Total flow per actuation must not exceed .25 gal./cycle (1.0 L/cycle).
- All operating parts must be replaceable from above the deck.
- 1/2"-14 NPSM threaded male inlet shank.



**COMPLIES WITH:**

- ASME A112.18.1
- CSA B125
- CSA Certified
- ASHRAE 90-80



Delta reserves the right (1) to make changes in specifications and materials, and (2) to change or discontinue models, both without notice or obligation. Dimensions are for reference only. See current full-line price book or [www.specselect.com](http://www.specselect.com) for finish options and product availability.