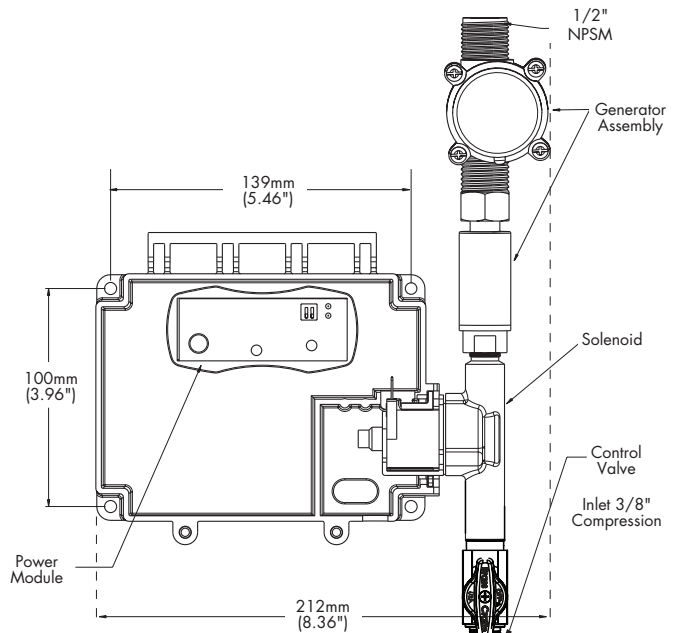
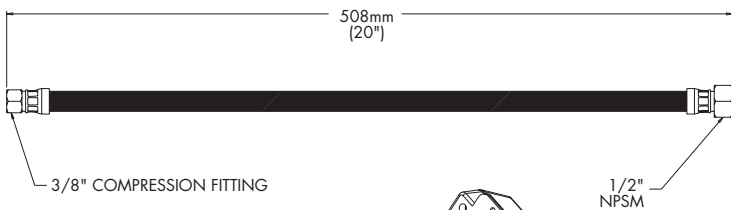
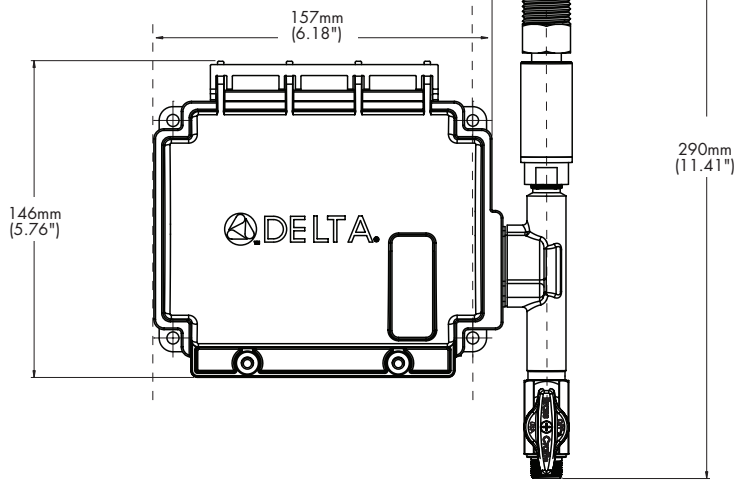
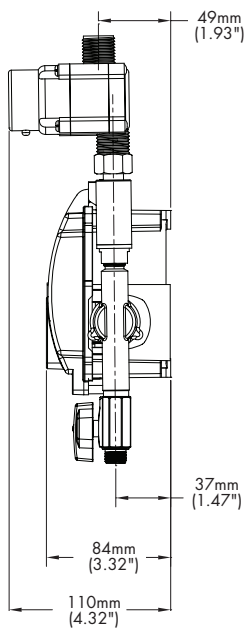


HYDROPOWER™ FOR USE ON 590T1, 591T1, 601T, 611T, 1501T & 3001TA

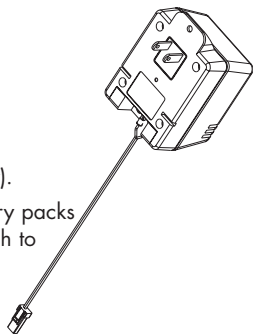
HydroPower™ is only available as follows:

- (A) With SELECT Factory supplied 590T1, 591T1, 1501T and 3001TA models that have
 - Control Box #0 selected and a selected spout with a minimum 1.5 USGPM (5.7 L/min) outlet flow rate (add “-HP” suffix to battery base model)
- (B) With SELECT Factory supplied 601T and 611T models that have
 - A selected spout outlet with a minimum 1.5 USGPM (5.7 L/min) outlet flow rate (add “-HP” suffix to battery base model)
- (C) If any of the above products were NOT factory supplied as HydroPower, they can be converted to HydroPower in the field by ordering the **061180A Conversion Kit**. This kit includes a generator assembly, control valve, a power module, solenoid, hose and a flow restrictor/stream straightener.



061062A

- HydroPower™ Recharger Kit (optional – order separately).
- Available to recharge battery packs if not used frequently enough to keep charge.



Note: Measurements may vary ± 6mm (0.25")

Refer to www.specselect.com for individual models.